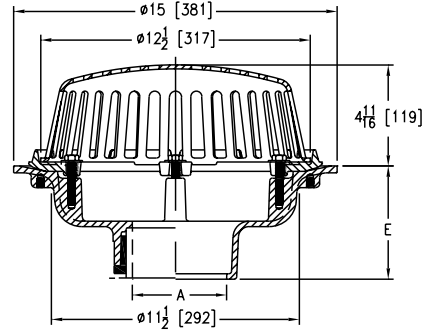


# Z100 15" DIAMETER MAIN ROOF DRAIN WITH LOW SILHOUETTE DOME



## ENGINEERING SPECIFICATION

Zurn Z100 15" diameter roof drain features Dura-Coated cast iron body with combination membrane flashing clamp/gravel guard and low silhouette polydome.



A Pipe Size inches [mm]	Dome Open Area sq in [cm <sup>2</sup> ]	Approximate Weight lb [kg]
2 [51], 3 [76], 4 [102]	103 [665]	26 [12]
6 [152]		27 [12]
8 [203]		28 [13]

PREFIXES	DESCRIPTION	PIPE SIZE	LIST PRICE
<b>Z100*</b>	D.C.C.I. Body with Polydome	2", 3", 4"	<b>704.00</b>
		6"	<b>1,009.00</b>
		8"	<b>1,313.00</b>
<b>ZA100</b>	D.C.C.I. Body with Aluminum Dome	2", 3", 4"	<b>951.00</b>
		6"	<b>1,257.00</b>
		8"	<b>1,559.00</b>
<b>ZC100</b>	D.C.C.I. Body with Cast Iron Dome	2", 3", 4"	<b>913.00</b>
		6"	<b>1,218.00</b>
		8"	<b>1,522.00</b>
<b>ZRB100</b>	D.C.C.I. Body with Plain Bronze Dome	2", 3", 4"	<b>1,525.00</b>
		6"	<b>1,830.00</b>
		8"	<b>2,133.00</b>

OUTLETS (SPECIFY PIPE SIZE IN INCHES AND TYPE OF OUTLET)				
OUTLET TYPE		OUTLET DESIGNATION (PIPE SIZE/OUTLET TYPE)	E BODY HT. DIM.	ADD
<b>IC</b>	Inside Caulk	3IC, 4IC, 6IC	5-1/4"	N/C
<b>IP</b>	Threaded	2IP, 3IP, 4IP, 6IP, 8IP	3-3/4"	<b>80.00</b>
<b>NH</b>	No-Hub	2NH, 3NH, 4NH, 6NH, 8NH	5-1/4"	N/C
<b>NL</b>	Neo-Loc (not recommended for roof drains)	2NL, 3NL, 4NL	4-9/16"	N/C
		6NL	5-7/16"	N/C

BEST SELLERS	LIST PRICE
Z100-3NH	<b>704.00</b>
Z100-3NH-DP	<b>1,140.00</b>
ZC100-3NH-DP	<b>1,349.00</b>
ZC100-3NH-89-DP	<b>1,582.00</b>
Z100-4NH	<b>704.00</b>
Z100-4NH-DP	<b>1,140.00</b>
Z100-4NH-89-DP	<b>1,373.00</b>
ZA100-4NH-DP	<b>1,387.00</b>
ZA100-4NH-DP-EA	<b>2,111.00</b>
ZC100-4NH	<b>913.00</b>
ZC100-4NH-DP	<b>1,349.00</b>
ZC100-4NH-89	<b>1,146.00</b>
ZC100-4NH-89-DP	<b>1,582.00</b>
ZC100-4NH-DP-EA	<b>2,073.00</b>
Z100-6NH	<b>1,009.00</b>
Z100-6NH-DP	<b>1,445.00</b>
ZC100-6NH	<b>1,218.00</b>
ZC100-6NH-DP	<b>1,654.00</b>
ZC100-6NH-89-DP	<b>1,887.00</b>
ZC100-6NH-DP-EA	<b>2,378.00</b>

SUFFIXES		ADD	
<b>-AC</b>	Angular Underdeck Clamp	<b>489.00</b>	
<b>-AR</b>	Acid Resistant Epoxy Coated Finish	<b>1,355.00</b>	
<b>-AW</b>	3/4" to 4" Adjustable Water Level Regulator (ZC Only)	<b>883.00</b>	
	For Each Additional 1" above 4" (Specify Height)	<b>244.00</b>	
<b>-C</b>	Underdeck Clamp	<b>244.00</b>	
Ⓢ <b>-DE</b>	Deck Extension (Includes Deck Plate -DP)	D.C.C.I.	<b>966.00</b>
		Galv.	<b>1,461.00</b>
Ⓢ <b>-DP</b>	Top-Set® Roof Deck Plate (Replaces both -C and -R)	<b>436.00</b>	
Ⓢ <b>-DR</b>	Top-Set Adjustable Drain Riser Extension Assembly	D.C.C.I.	<b>1,215.00</b>
		Galv.	<b>1,556.00</b>
<b>-E</b>	Static Extension 1" thru 4" (Specify Height)	D.C.C.I.	<b>660.00</b>
		Galv.	<b>995.00</b>
		For E Extensions Greater than 4" - Per Inch (Specify Height)	D.C.C.I.
<b>-EA</b>	Adjustable Extension Assembly 2-1/8" thru 3-1/2"	D.C.C.I.	<b>724.00</b>
		Galv.	<b>1,073.00</b>
Ⓢ <b>-EB</b>	Top-Set Adjustable Extension Assembly	<b>660.00</b>	
<b>-FG</b>	Flush Grate (Replaces Dome Strainer)	<b>687.00</b>	
<b>-G</b>	Galvanized Cast Iron	Z100	<b>957.00</b>
		ZC100	<b>1,360.00</b>
<b>-HD</b>	6-3/4" High Aluminum Dome Strainer - 148 sq. in. open area (ZA Only)	<b>248.00</b>	
<b>-R</b>	Roof Sump Receiver	<b>272.00</b>	
<b>-SC</b>	Secondary Clamp Collar	<b>185.00</b>	
<b>-SS</b>	Stainless Steel Mesh Screen Over Dome	<b>502.00</b>	
<b>-ST</b>	Dome with Solid Top (ZA and ZC Only)	<b>502.00</b>	
Ⓢ <b>-TC</b>	Neo-Loc Test Cap Gasket (2", 3", 4" NL Bottom Outlet Only)	<b>24.00</b>	
<b>-VP</b>	Vandal-Proof Secured Top	<b>125.00</b>	
<b>-W2</b>	2" Internal Water Dam	<b>420.00</b>	
<b>-W3</b>	3" Internal Water Dam	<b>420.00</b>	
<b>-W4</b>	4" Internal Water Dam	<b>420.00</b>	
<b>-84</b>	Stainless Steel Perforated Gravel Guard 1" thru 4"	For Each Additional 1" above 4" - Per Inch (Specify Height)	<b>784.00</b>
			<b>79.00</b>
<b>-85</b>	Stainless Steel Perforated Extension 1" thru 4"	For Each Additional 1" above 4" - Per Inch (Specify Height)	<b>774.00</b>
			<b>79.00</b>
<b>-89</b>	2" High External Water Dam	<b>233.00</b>	
<b>-90</b>	90° Threaded Side Outlet Body (2", 3", 4", 6")	<b>368.00</b>	

Supplied By:



**877-903-7246**

[www.commercialplumbingsupply.com](http://www.commercialplumbingsupply.com)

\*Regularly furnished unless otherwise specified.

Items designated as Best Sellers are most specified and are generally in stock for shipment.

Ⓢ This symbol denotes a product that is engineered to reduce installation and rework time.